

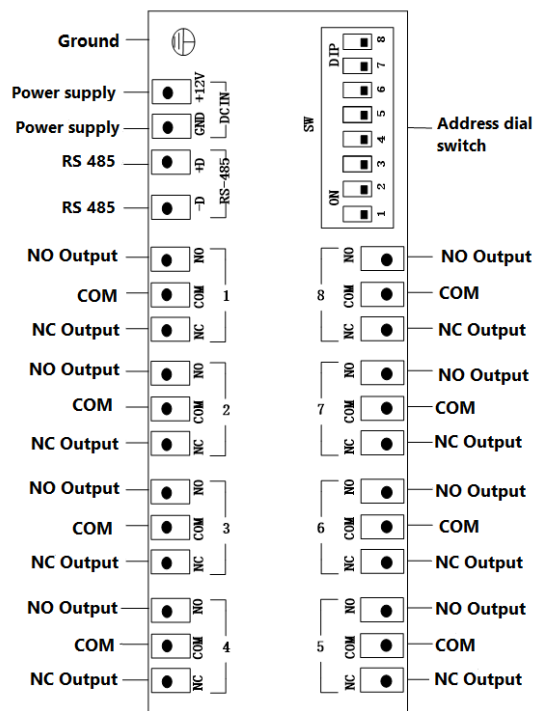
## DS-PM-RSO4 (08)

### RS485 4/8 Outputs Expander

The DS-PM-RSO4 (8) is RS485 4/8 Outputs Expander. It can control normally open (NO) or normally closed (NC) relay output (Capacity: DC30V/1A) when connecting to the control panel via RS-485 BUS.



### PHYSICAL INTERFACE



## SPECIFICATIONS

Module	DS-PM-RS04 (08)
Power Supply	DC 12V
Operating Temperature	-10°C ~ +55°C
Operation Humidity	10% ~ 90%
Capacity	DC30V/1A
Dimension(L x W x H)	144mm x 187mm x 31mm

## INSTRUCTION

- Power off both the module and control panel and set the DIP address on the module before installation.
- Using different device addresses for extending modules on RS485.
- The available device address for module is from 1 to 31.
- Ensure reliable ground connection.

## AVAILABLE MODEL

Model	Description
DS-PM-RS04	RS485 4 Outputs Expander
DS-PM-RS08	RS485 8 Outputs Expander